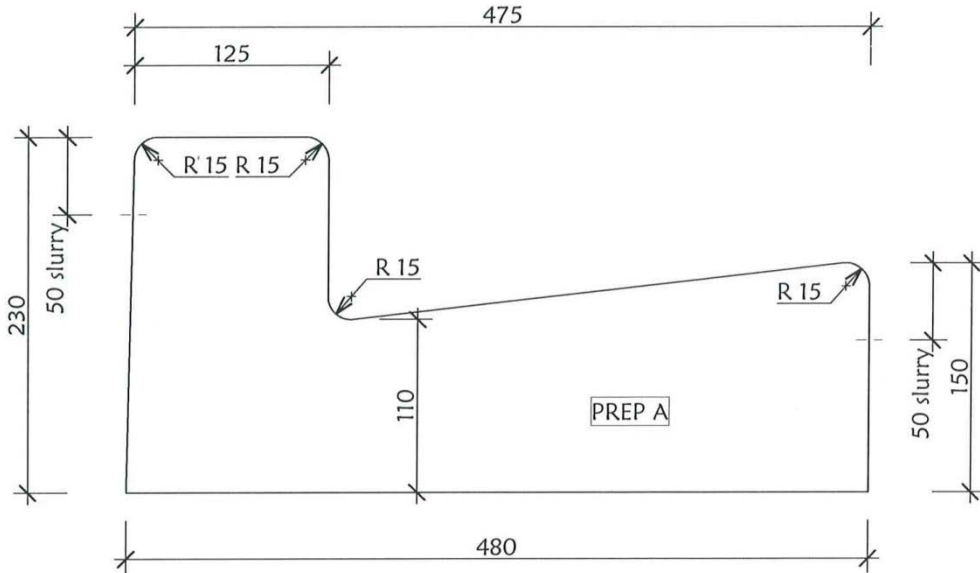


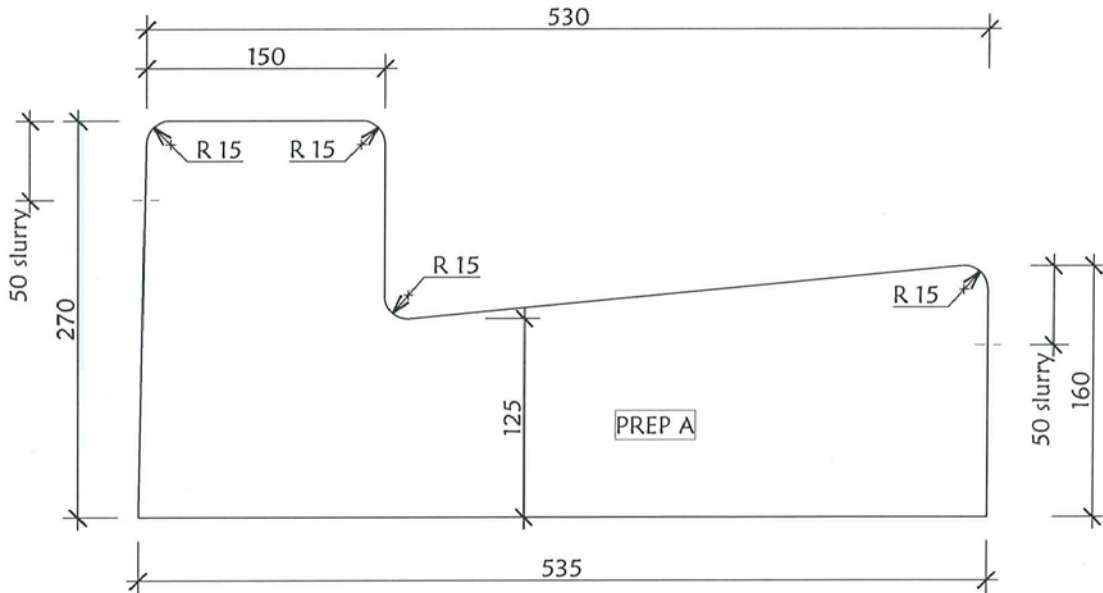
All vertical heights (with the exception of the Sloping Kerb & Channel) can be extended upon request.

All moulds can be reinforced with steel rod 50mm from the bottom upon request.

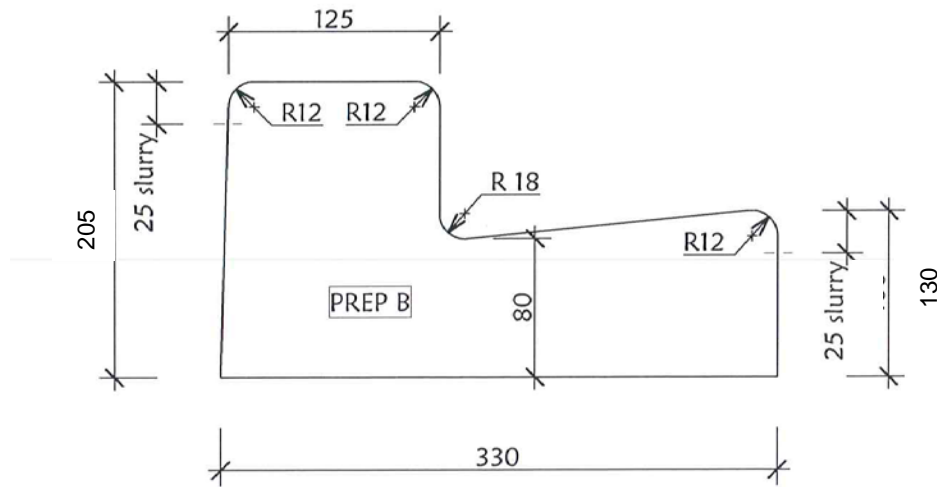
KERB & CHANNEL – Timaru District Council



KERB & CHANNEL – Ashburton / Christchurch Council Mould

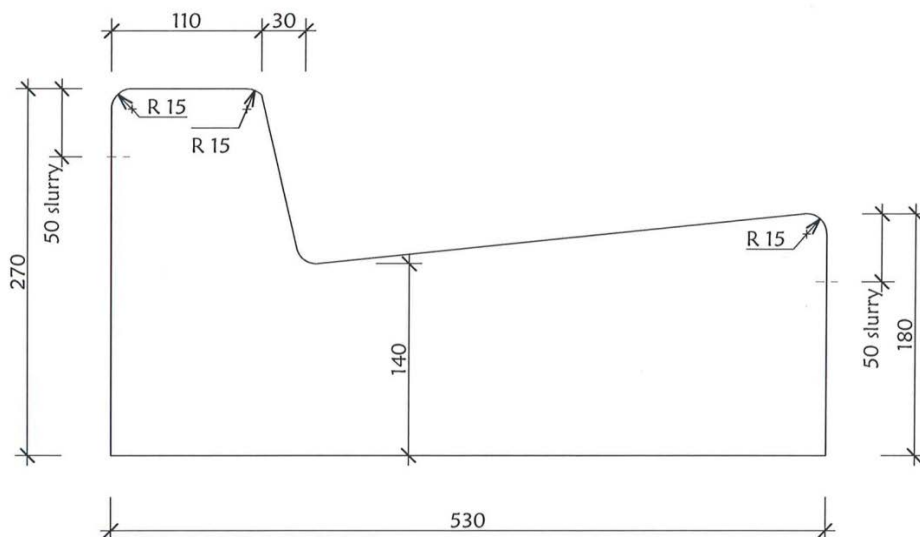


DOMESTIC KERB & CHANNEL

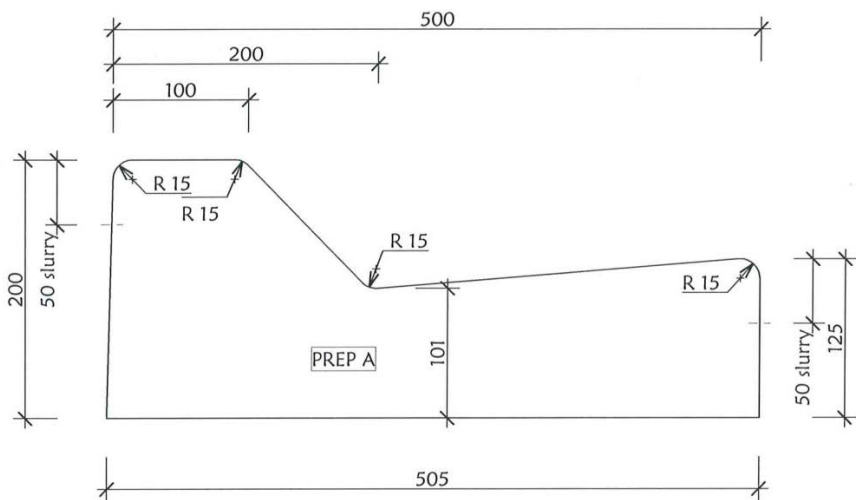


SLOPING KERB & CHANNEL

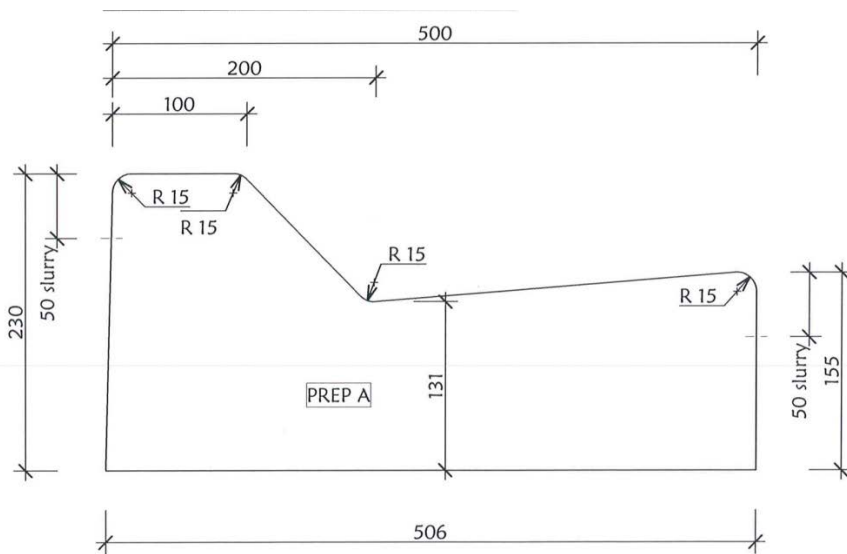
Vertical heights are unable to be increased



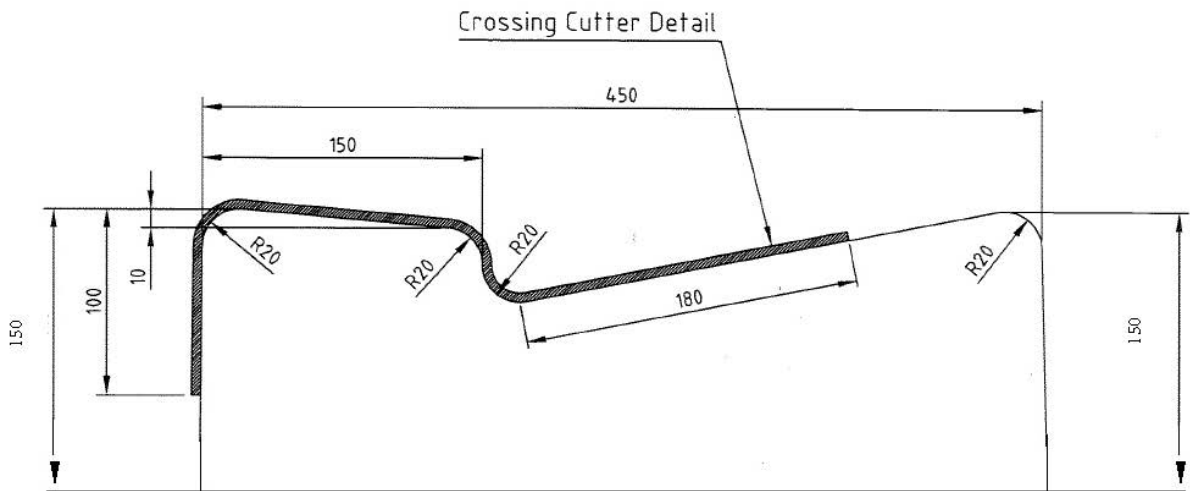
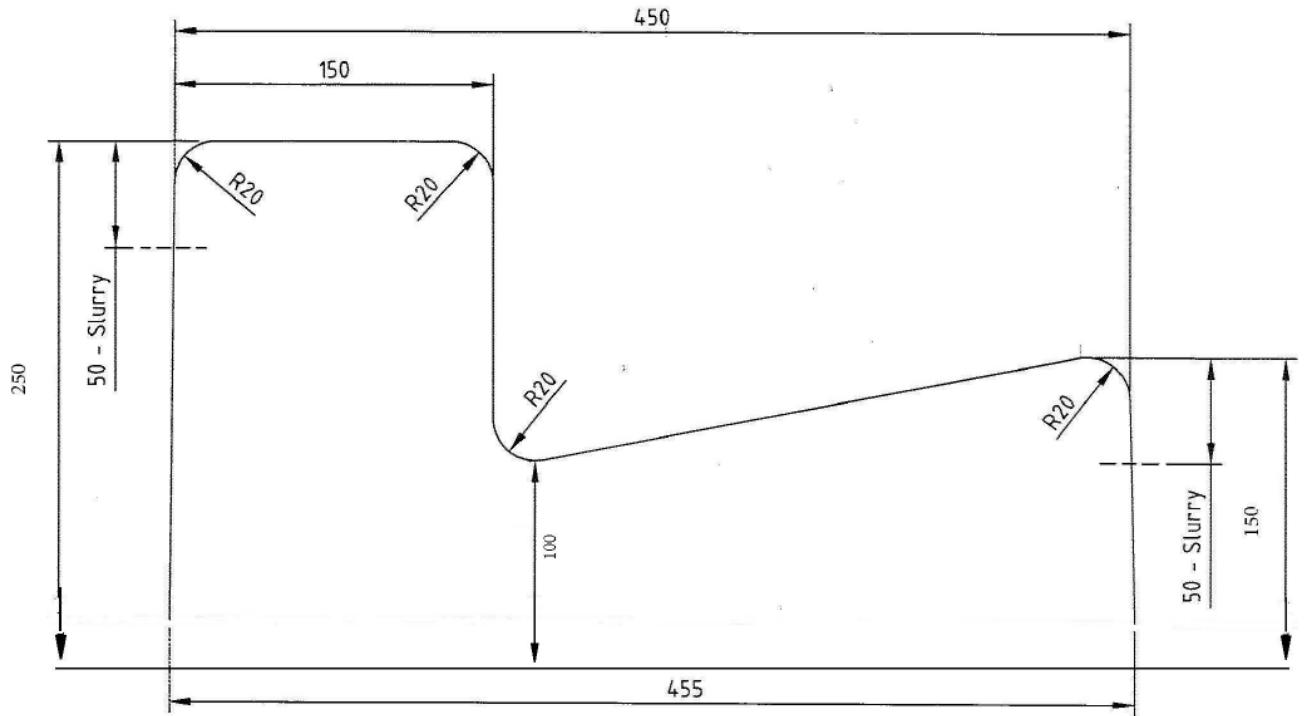
MOUNTABLE KERB & CHANNEL



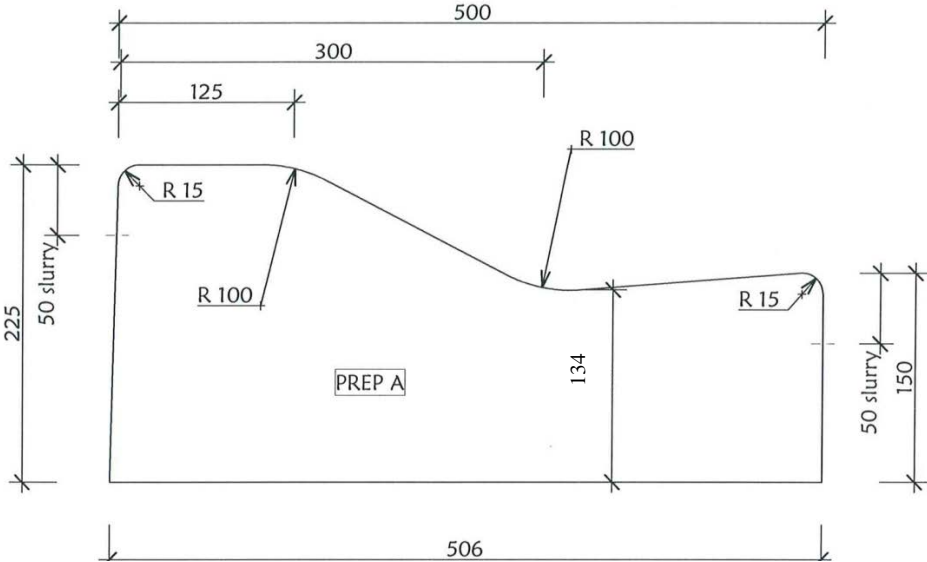
MOUNTABLE KERB & CHANNEL – Option 2



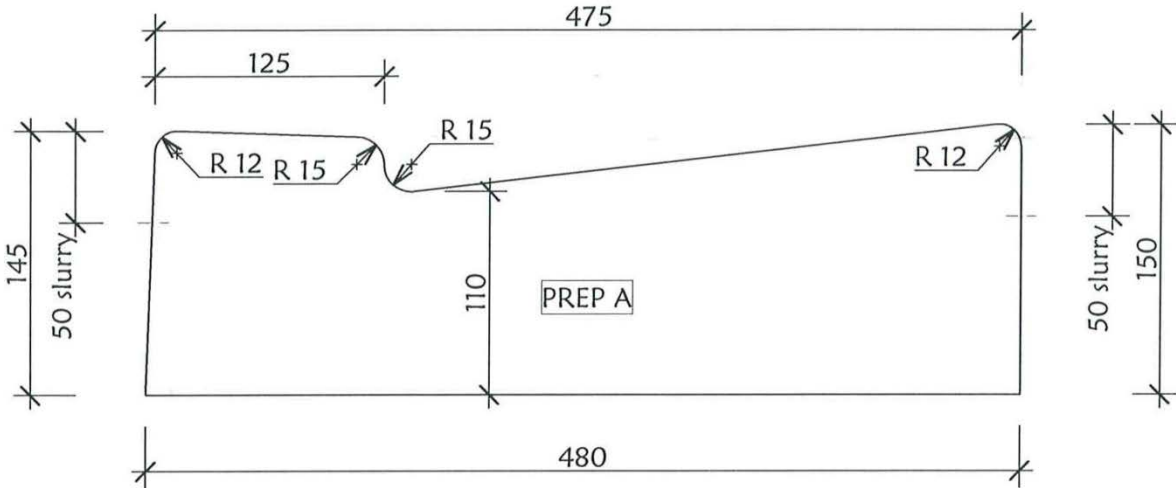
Mid-South Canterbury Kerb & Channel



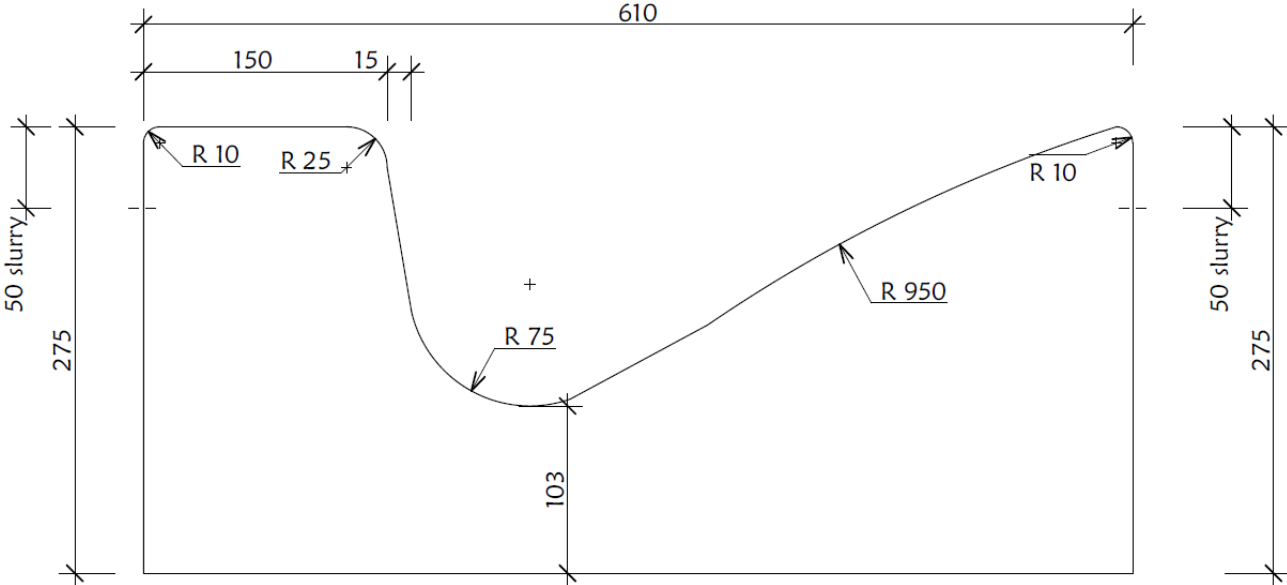
MOUNTABLE KERB & CHANNEL - McKenzie Lifestyle Village



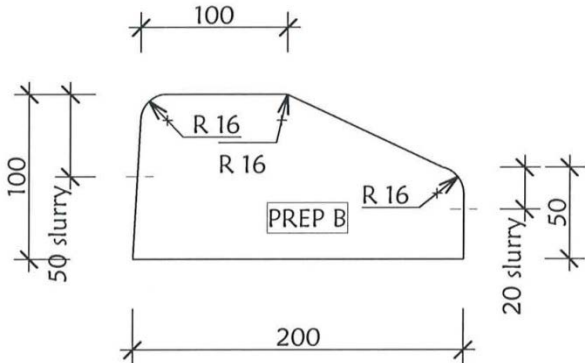
STANDARD VEHICLE CROSSING – Type V2 – Timaru District Council



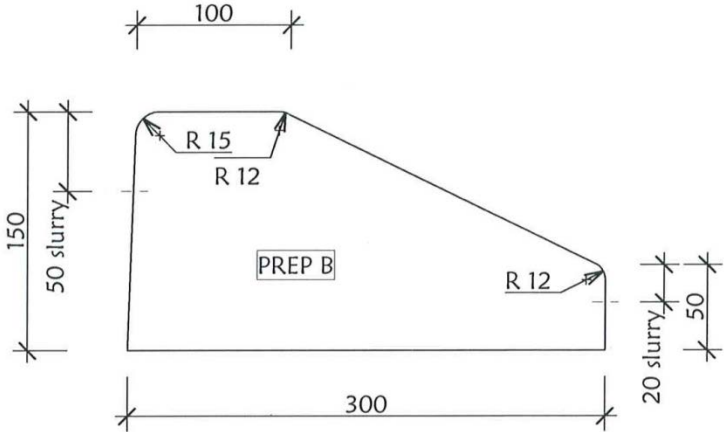
Hill Side Mould



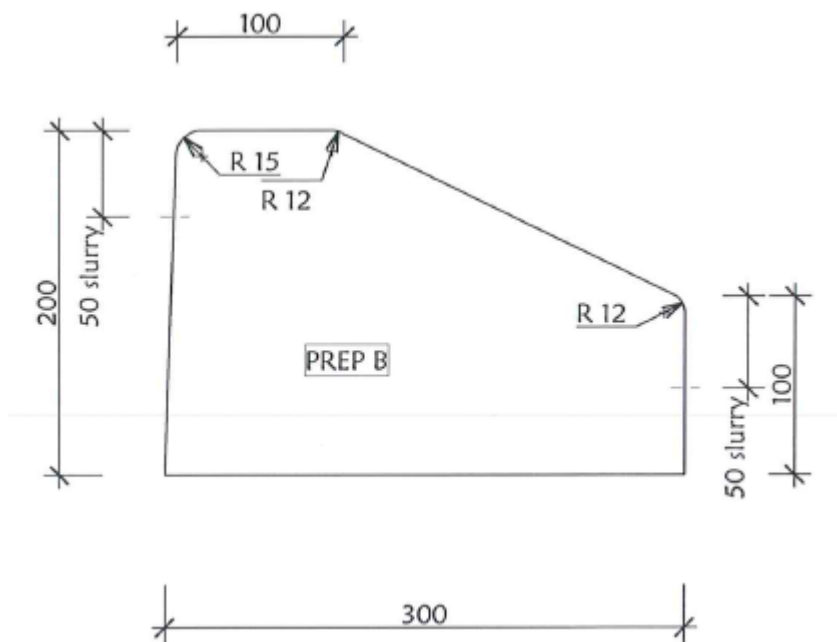
REDUCED MOUNTABLE NIB



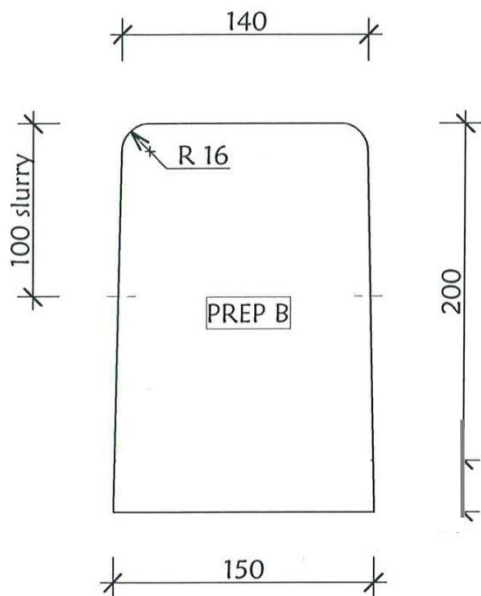
STANDARD MOUNTABLE NIB



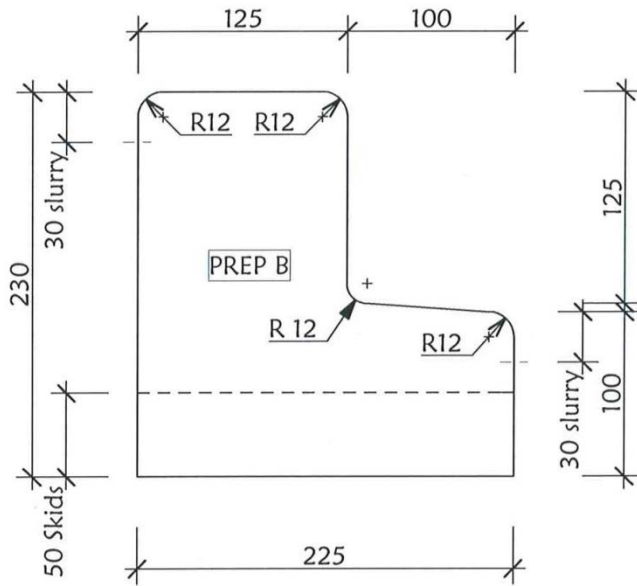
STANDARD MOUNTABLE NIB – Option B



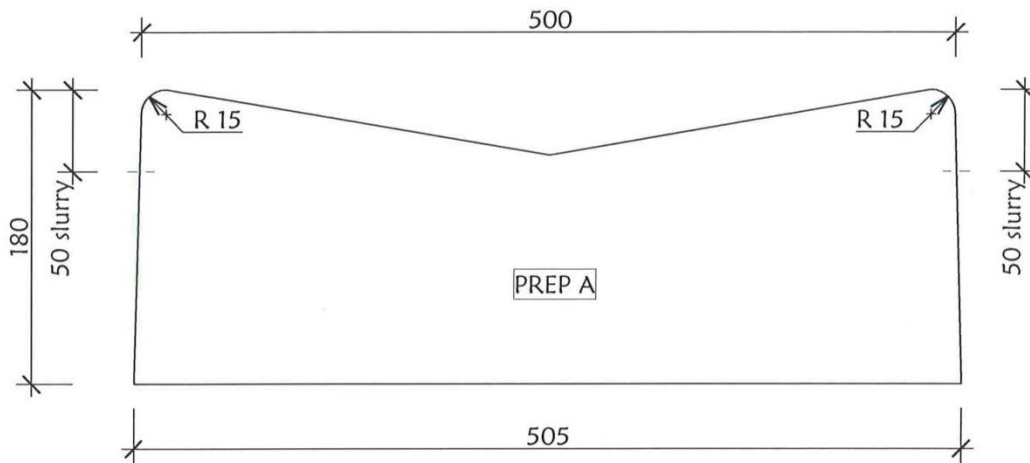
STANDARD NIB



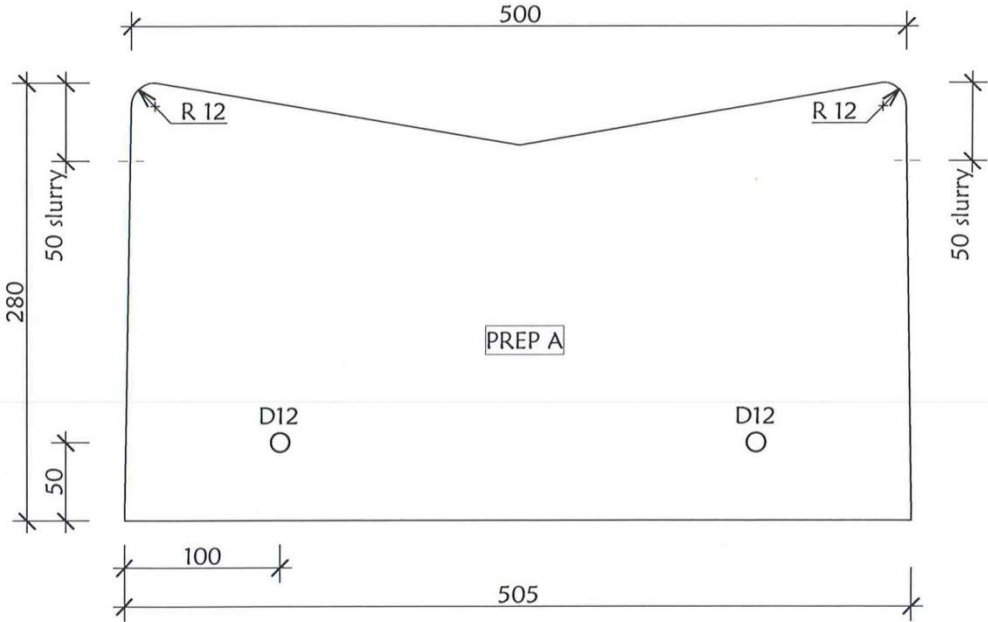
KERB AND FOOT



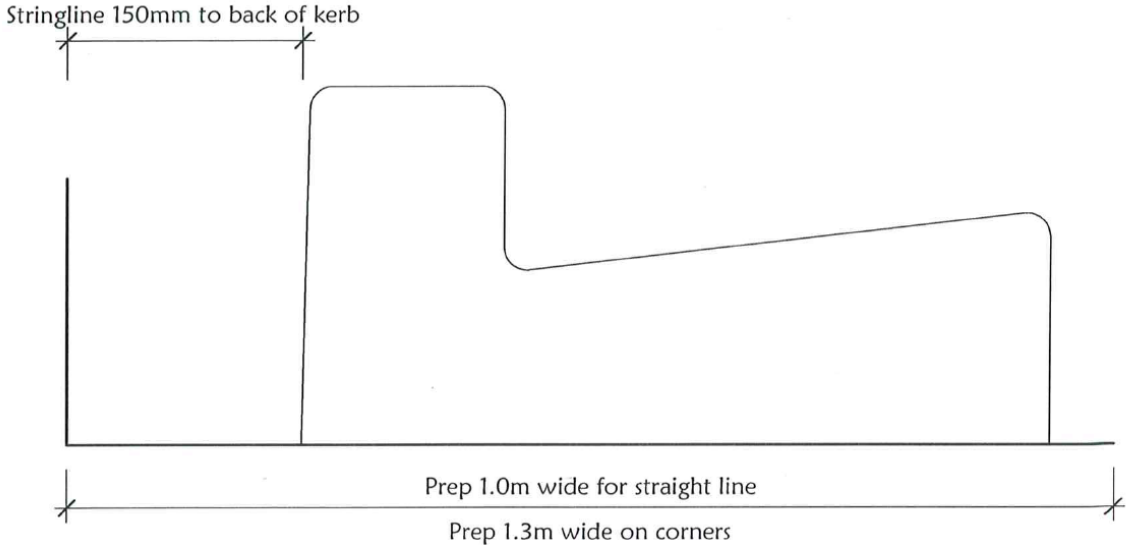
DISH CHANNEL



REINFORCED DISH CHANNEL



PREP A



PREP B

